

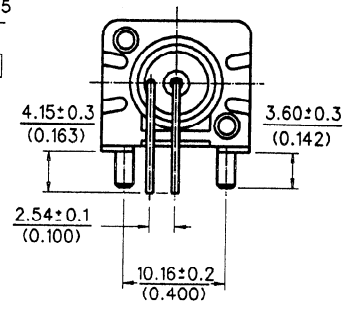
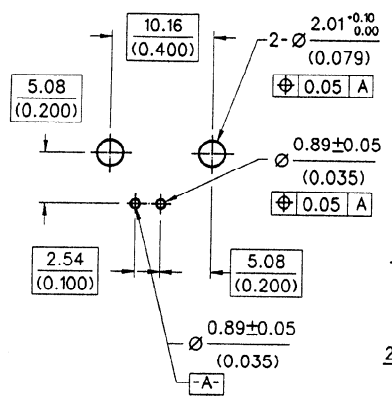
ENG. NO SDA-73137-5003

EDP NO.

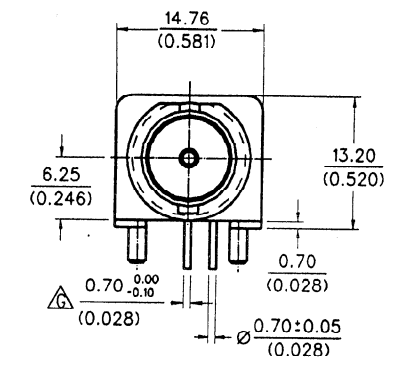
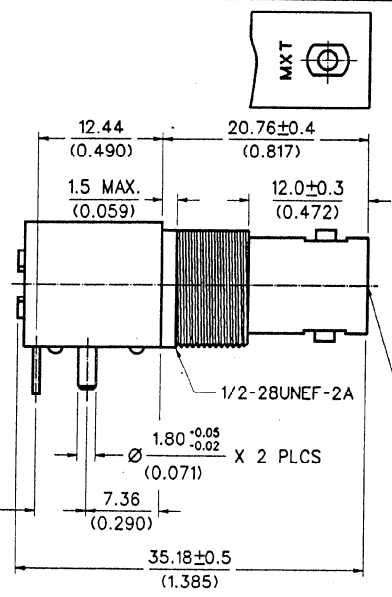
SIMILAR ITEM

CADFILE NO. S1375003.DGN

DO NOT SCALE DRAWING



5.08±0.10 (0.200)



INTERFACE PER MOLEX STANDARD ES-73599-0000

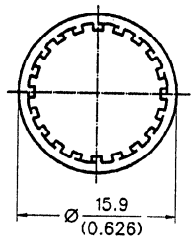
- CONSTRUCTION:**
- △ BODY-----ZINC ALLOY
 - △ HOUSING-----POLYESTER BUTYLENE TEREPHTHALATE (BLACK)
 - CENTER CONTACT----PHOSPHOR BRONZE
 - DIELECTRIC-----POLYPROPYLENE (94V2)
 - MOUNTING POST-----BRASS
 - SOLDER TAIL-----COPPER OVER STEEL WIRE
 - WASHER-----PHOSPHOR BRONZE
 - NUT-----BRASS

- FINISH:**
- △ BODY-----NICKEL PLATING
 - △ CENTER CONTACT----GOLD FLASH
 - SOLDER TAIL-----TIN PLATING
 - MOUNTING POST-----TIN PLATING
 - WASHER-----NICKEL PLATING
 - NUT-----NICKEL PLATING

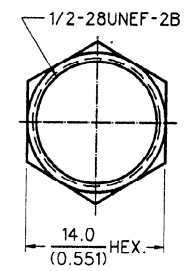
MECHANICAL & ELECTRICAL CHARACTERISTICS:
PER PRODUCT SPECIFICATION PS-73598-0050

MATERIAL & FINISHES:
PER PRODUCT SPECIFICATION PS-73598-0050

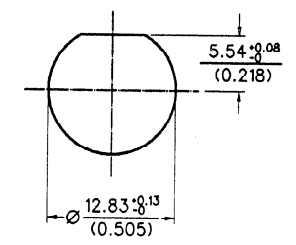
PACKAGING:
PLASTIC TRAYS



LOCK WASHER



JAM NUT



RECOMMENDED MOUNTING HOLE
MAXIMUM PANEL THICKNESS: 5.5 mm
RECOMMENDED MOUNTING TORQUE 5 inch-pounds MAX.

MATERIAL : SEE NOTES				MOLEX TAIWAN LTD. (R.F. DIVISION)	
FINISH : SEE NOTES				GENERAL TOLERANCES	
SCALE : 2:1 UNIT : mm(INCH)				ANGLE : ± 3° DIM. ± 0.25 (± 0.01)	
DRAWN BY : LILY CHEN 92/02/24				DRW. NO. : SDA-73137-5003	
CHK'D BY : <i>Lily Wang</i> 95/10/18				REV 6	
LTR REVISION RECORD ECN DR DATE APPRD BY : <i>Lily Wang</i> 95/10/22				TITLE 50 OHMS BNC R/A PCB RECEPTACLE	
STANDARD ITEM <input type="checkbox"/> YES <input checked="" type="checkbox"/> NO				SHEET 1 OF 1	

THIS DRAWING CONTAINS INFORMATION THAT IS PROPRIETARY TO MOLEX TAIWAN AND SHOULD NOT BE USED WITHOUT WRITTEN PERMISSION MXT, So - 13